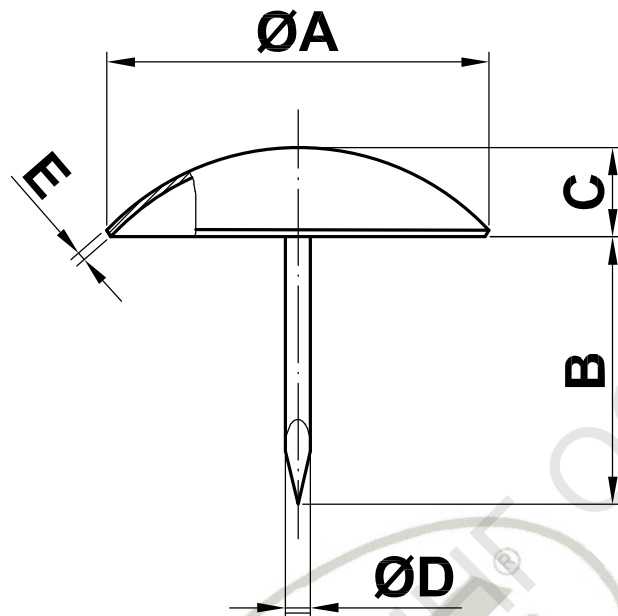
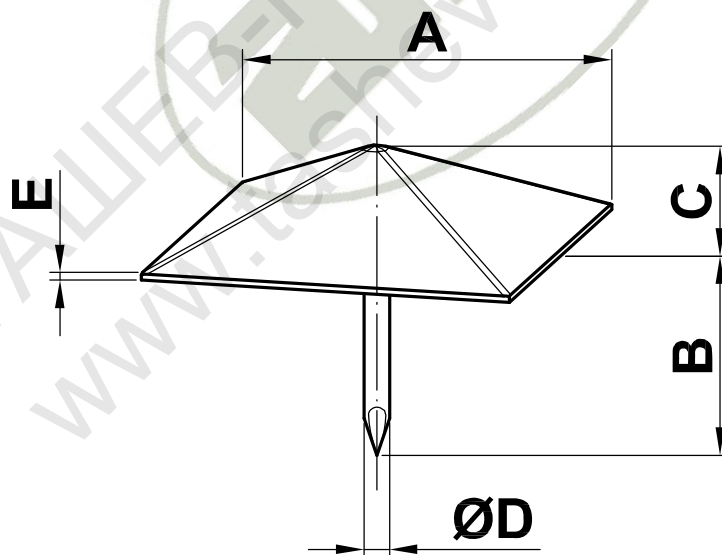




Clavo Mod. 1 - 2



| Modelo | ØA (mm) | B (mm) | C (mm) | D (mm) | E (mm) |
|--------|---------|--------|--------|--------|--------|
| 1 - 30 | 30 | 21 | 7 | 2.7 | 0.9 |
| 1 - 40 | 40 | 27 | 8 | 2.7 | 1.3 |



| Modelo | A (mm) | B (mm) | C (mm) | D (mm) | E (mm) |
|--------|--------|--------|--------|--------|--------|
| 2 - 28 | 28 | 21 | 7.5 | 2.7 | 0.9 |
| 2 - 40 | 40 | 24 | 9 | 2.7 | 1.3 |